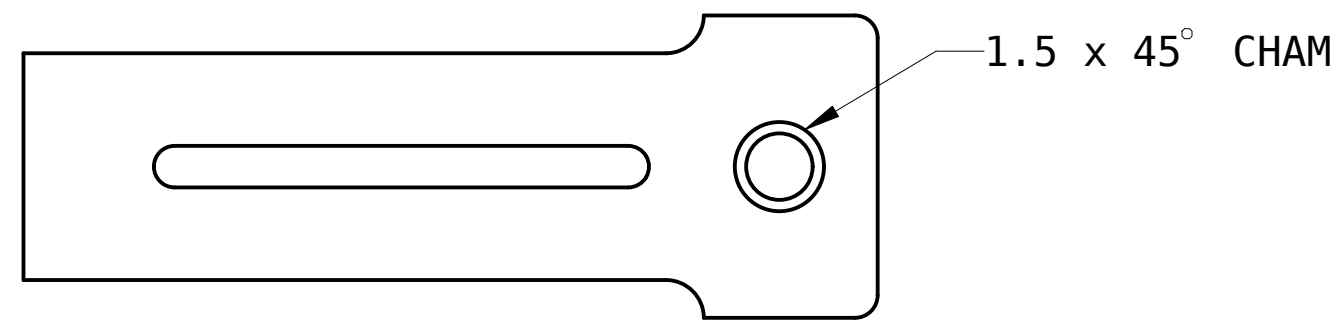
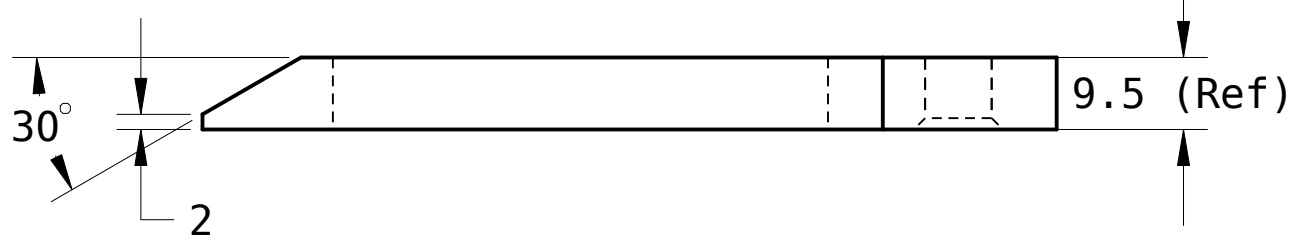
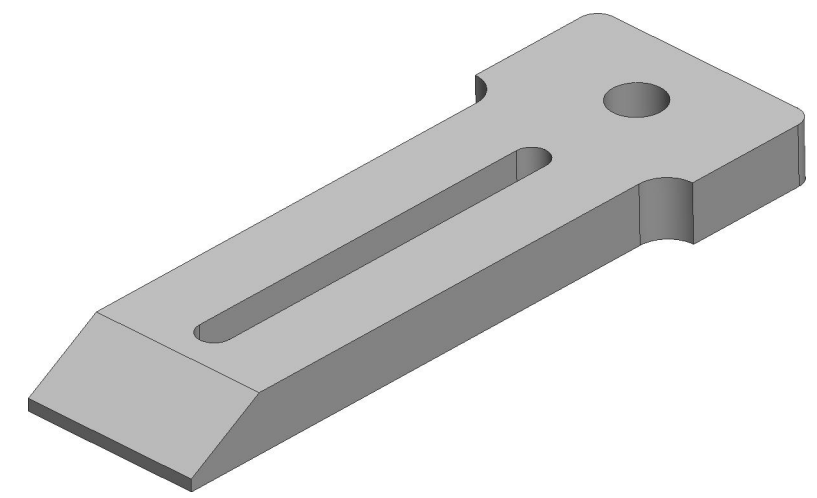


REVISIONS			
SYM	DESCRIPTION	BY	DATE
1	ORIGINAL	BJD	10/27/13
2	Revised hole diameter	BJD	11/21/13
3	Revised hole diameter	BJD	12/11/13
4	Changed length and hole	BJD	2/10/14



Notes:
 1. Material: 1/2" (Nominal) Red Oak
 2. Grain direction is critical and shown on drawing.



DRAWN	BJD	10/27/13
CHECKER		

Wood Material Clamp	INVENTABLES
	www.inventables.com
SCALE	B25002
	SHEET 1 OF 1