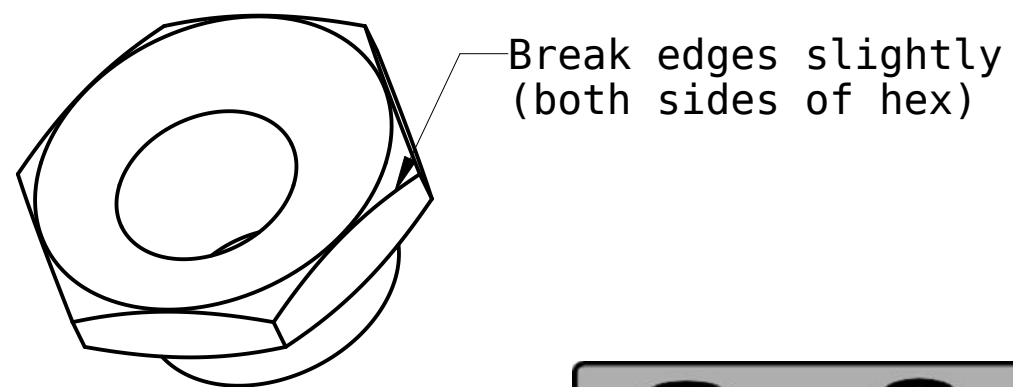
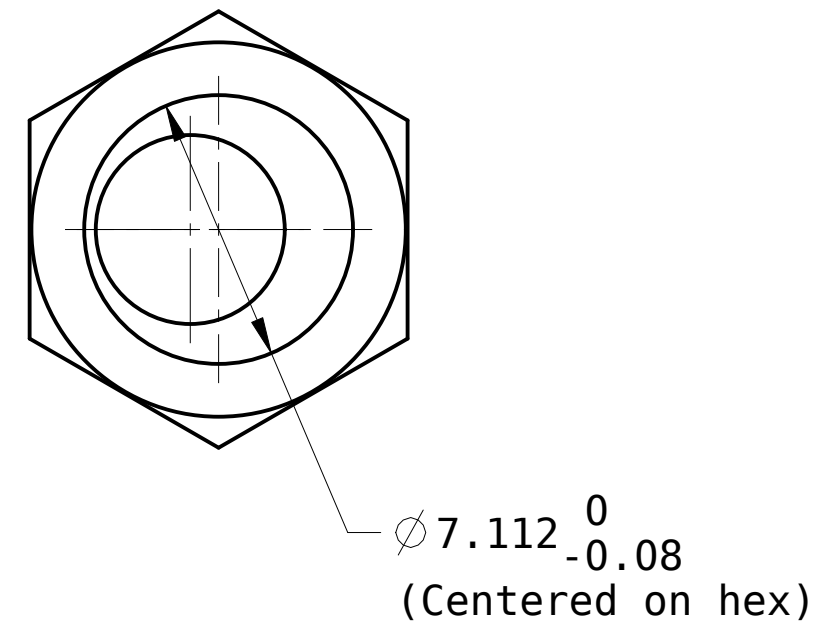
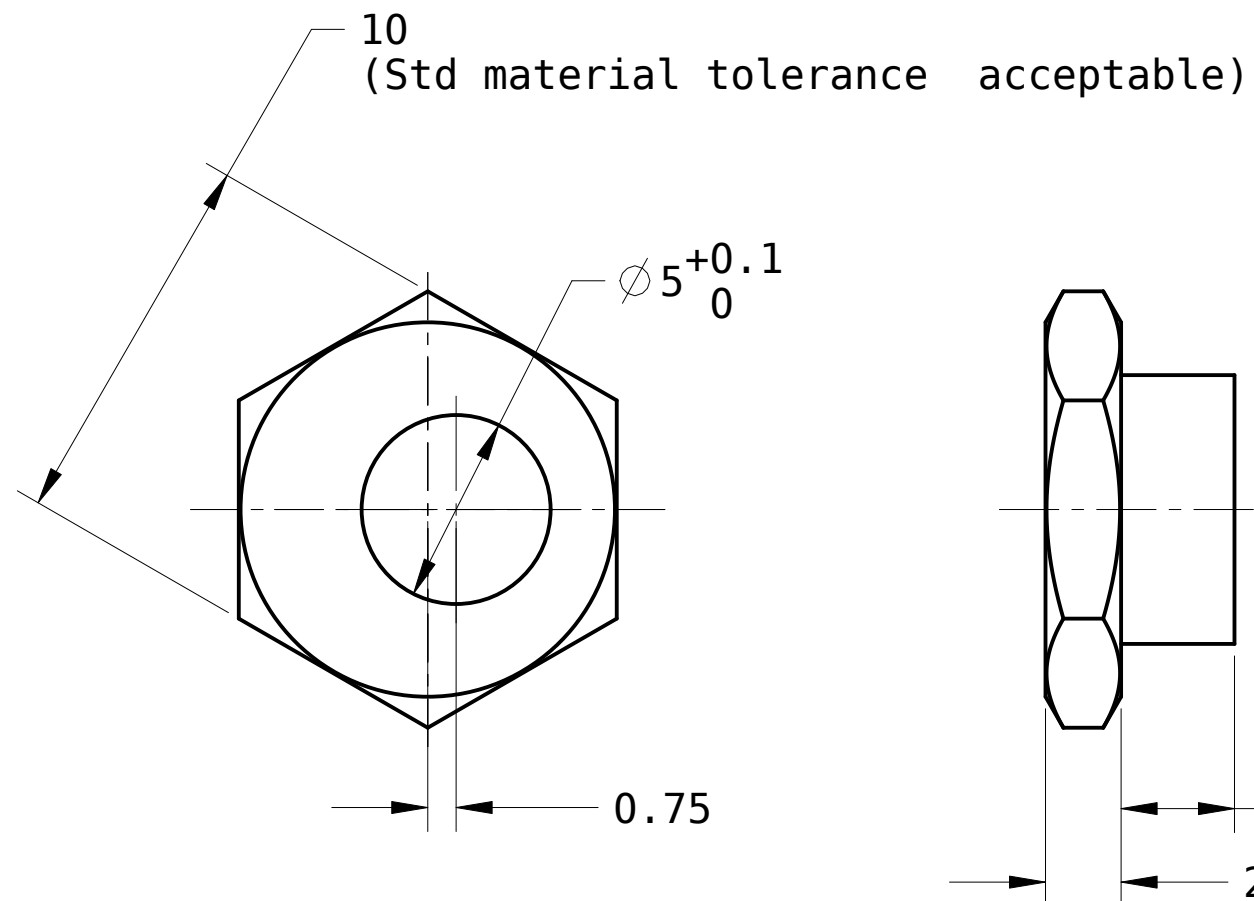


REVISIONS			
SYM	DESCRIPTION	BY	DATE
1	ORIGINAL	BJD	4/16/13



Notes:
 1: Material: Stainless Steel
 2: Finish: None



The work is licensed under a Creative Commons Attribution-Share Alike 3.0 License

DRAWN	BJD	4/16/13
CHECKER		
MECH. ENGR.		
ELEC. ENGR.		
PROJ. ENGR.		
CHIEF ENGR.		

ECCENTRIC SPACER 2mm	
SCALE	


www.buildlog.net
B18036
SHEET 1 OF 1